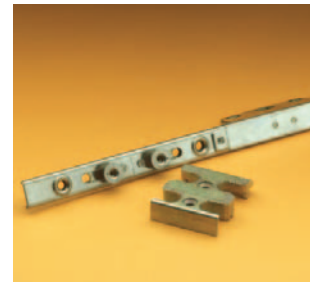




KEY PRODUCT FEATURES

- First of its kind to face mount onto flat profiles, no need for euro groove.
- Ultra slim offset gear box design, ideal for fitting into slim glazing up-stands.
- Simple to fit one piece assembly.
- Stainless steel construction for ultimate corrosion resistance.
- Supplied as a kit, complete with keeps.
- Opposing reverse action cams provide high security locking.



MUSTANG SLIM LINE REVERSE ESPAG

TECHNICAL SPECIFICATION

The Mustang reverse espag with its ultra slim off-set gear box is ideal for face mounting onto flat profiles. With the gear box fitting up into the glazing leg, only a 6.5mm wide cavity is required, allowing it to fit on to profiles with the slimmest of sightlines. This makes it the ideal choice for aluminium systems. The slim line reverse espag is largely stainless steel in construction to meet ever increasing requirements.

TESTING AND ACCREDITATION

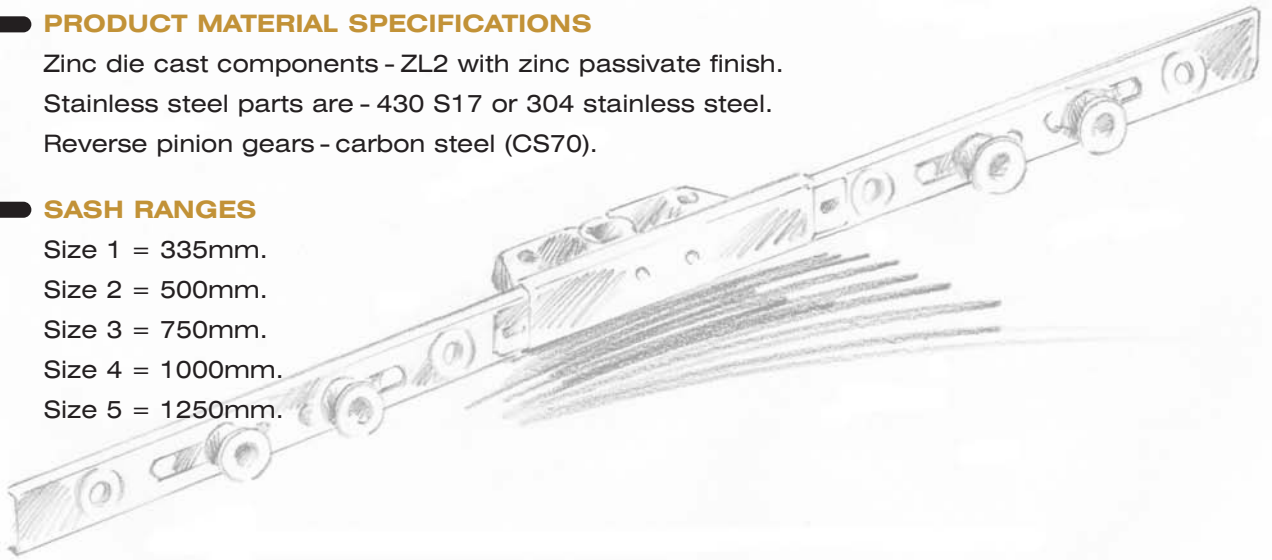
UKAS laboratory tested to BS EN 1670 and has exceeded grade 4 classification.
Tested to 30,000 cycles under operational load.

PRODUCT MATERIAL SPECIFICATIONS

Zinc die cast components - ZL2 with zinc passivate finish.
Stainless steel parts are - 430 S17 or 304 stainless steel.
Reverse pinion gears - carbon steel (CS70).

SASH RANGES

Size 1 = 335mm.
Size 2 = 500mm.
Size 3 = 750mm.
Size 4 = 1000mm.
Size 5 = 1250mm.



The Strength of Hardware Design

Trojan Manufacturing Group Limited, Fryers Road, Bloxwich, Walsall, West Midlands, WS2 7LZ
T: +44 (0) 1922 713933 F: +44 (0) 1922 713890 E: info@trojanguroup.com W: www.trojanguroup.com

Due to Trojan Group Ltd's policy of continual improvement we reserve the right to alter specifications without notice. In all cases, it is the responsibility of the window manufacturer to ensure that the finished product meets the required specification and performance status.